

CH-1000

Curtain Passive Infra-Red Detector



Installation Instructions

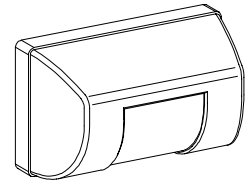
1. INTRODUCTION

The CH-1000 curtain provides solid curtain coverage of maximum 13.5 m length x 6 m height (45 ft x 20 ft).

The CH-1000 may be used for perimeter protection, by setting up motion detection "curtains" along walls, large show windows, skylights and ceilings. It can also be used as an internal invisible barrier to detect movement between two adjacent areas. The CH-1000 can be mounted on the wall or on the ceiling.

A unique calibrated scale enables horizontal pattern adjustment of $\pm 7^\circ$ to the left or to the right.

A double polarity, programmable pulse counter provides maximum immunity against environmental disturbances.



2. COVERAGE PATTERNS

Various mounting alternatives are available, each of which provides different coverage patterns as a solid curtain:

A. Wall Mounted (Figure 1)

The unit should be mounted on the wall at a maximum height of 6.0 m (20 ft). It provides solid curtain coverage, extending out from the mounting wall to the opposite wall up to a maximum distance of 13.5 m (45 ft) and down to the floor. The unit must be mounted horizontally, with the lens pointed downward, toward the floor.

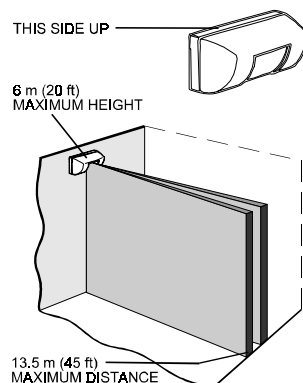


Figure 1. Wall Mounted Curtain

B. Ceiling Mounted (Figure 2)

The unit is mounted on the ceiling at a maximum height of 6.0 m (20 ft). It provides solid curtain coverage, extending down to the floor and away from the unit up to a maximum distance of 13.5 m (45 ft).

The unit must be mounted with the lens pointed towards the desired direction of the curtain coverage.

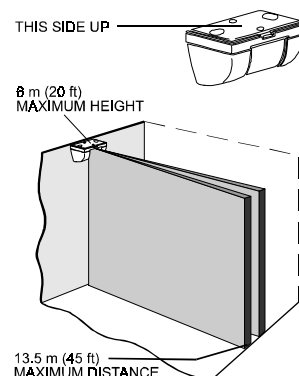


Figure 2. Ceiling Mounted Curtain

C. Pet Alley (Figure 3)

Pet-alley curtain can be created by installing the CH-1000 on the wall, near the floor, with the lens pointed toward the ceiling.

D. Skylight (Figure 4)

This method is useful for detection of entry through the ceiling or skylights. Install the unit as close as possible to the ceiling area or skylights to be protected and close to a corner of the protected area

Note: Maintain a minimum vertical distance of 0.5 m (1.5 ft) from the ceiling or skylights.

The unit is installed with its long axis vertical, so that the coverage pattern will be parallel to the floor (rotated 90° from the wall mounted installation - see Fig. 1). The maximum coverage of this installation is 5 x 5 m (17 x 17 ft). The field of view is 90° extending from the unit toward the opposite wall and along the wall on which the unit is mounted in the direction that the lens is facing.

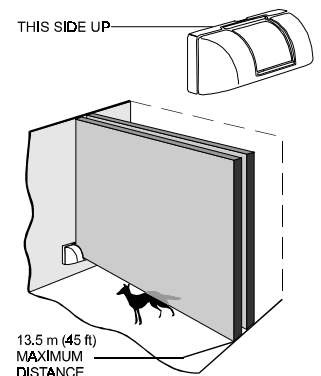


Figure 3. Pet Alley Curtain

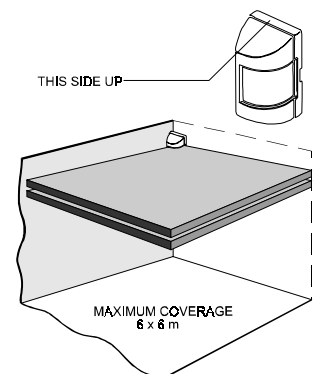


Figure 4. Skylight Solid Curtain

3. SPECIFICATIONS

OPTICAL

Detection Patterns:

Solid Curtain with maximum coverage pattern of 13.5 m length and 6 m height (45 x 20 ft). Other patterns see above.

Adjustment: Horizontal $\pm 7^\circ$ calibrated to the left or right side.

ELECTRICAL

Voltage: 9 to 16 VDC.

Current: 20 mA.

Relay Output: Normally closed (tail safe) contacts. 18 ohm resistor in series with contacts. Rating - 0.1A resistive 30 VDC.

Alarm Period: 2-5 seconds.

Tamper Contacts: Normally closed. Rating - 0.5A resistive/30 VDC.

LED: Walk Test - Enabled or disabled with internal link.

Detector: Dual-element low noise pyroelectric detector.

Pulse Counter: A selector for 1 / 2 pulses with opposite polarity.

MOUNTING

Wall or ceiling mounting.

ENVIRONMENTAL

Operating Temperature: 0° to 49°C (32°F to 120°F).

Storage Temperature: -20° to 60°C (-4°F to 140°F).

PHYSICAL

Dimensions: 105 x 65 x 53 mm (4.1 x 2.5 x 2.1 in.).

Weight: 90 g (3.2 oz)

Color: Soft White.

MODELS AVAILABLE

CH-1000: Standard model

CH-1000S: Same as CH-1000, but with Form-1C relay contacts.

4. INSTALLATION

4.1 Mounting

The CH-1000 PIR can be installed on the wall or on the ceiling, according to the specific application as described in Section 1.

The maximum mounting height is 6 m (20 ft).

- A. Select the mounting location so that the expected motion path of an intruder will cross the curtain pattern. Refer to Section 2 for a detailed description of the mounting alternatives and their respective coverage patterns.

Note: *Passive infrared detectors are sensitive to changes in infrared energy caused by an object moving across the unit's field of view. Under certain temperature and background conditions, in which the temperature difference is too small, the PIR may fail to respond. It is therefore recommended that the PIR be aimed toward the coolest place in the protected area, in order to obtain the maximum sensitivity.*

- B. Select the mounting height according to the maximum required coverage range. For maximum sensitivity do not install the CH-1000 higher than necessary. For normal applications it is recommended to install the unit between 2.7 and 3 m height (9 to 12 ft).
- C. With CH-1000 pet-alley coverage pattern, it is recommended that the sensor be installed at the lowest possible height that still enables the pets to move below the curtain pattern without being detected.
- D. CH-1000 is extremely immune to air turbulence and RFI. However, to minimize possible false alarms, it is highly recommended to avoid aiming the detector at heaters, sources of light, or windows subjected to direct sunlight. Also avoid running wiring close to high power electrical cables.

- E. Open the cover by gently inserting a quarter-inch screwdriver in the slot at the bottom of the unit, between the front cover and the base. Twist the screwdriver slightly until the cover swings outward and removes easily.

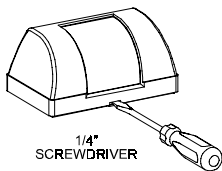


Figure 5. Removing the Cover

- F. Mount the base (equipped with the printed circuit board) in the location and height selected for optimum coverage. Use the two elongated mounting holes at the back of the base. The unit must be fastened firmly to the mounting surface to avoid possible vibrations.

4.2 Wiring

Route the wires into the detector via the wiring knockouts. See Figure 7.

Connect wires to the terminal block in the following order. Refer to Figure 6.

* Model CH-1000S only

- A. Connect the **Tamper N.C.** terminals to a normally closed 24-hour protection zone of the control panel. Tamper contact will open when cover is removed.
- B. Connect the **Relay N.C.** terminals to a normally closed burglar protection zone of the control panel. Relay contacts will open when a motion is detected or during power loss. The relay contacts are rated at 100 mA, 30 VDC maximum (resistive load only). An 18 ohm resistor is internally connected in series with the relay contacts.

Note: *Model CH-1000S provides changeover Form-1C relay contacts (i.e. N.C. + N.O.).*

- C. Connect the **12 VDC (+)** and **(-)** terminals to a 9 to 16 Volt DC power source and check for correct polarity. It is advisable that the power supply be battery backed-up. The current drain of each sensor is approximately 20 mA.

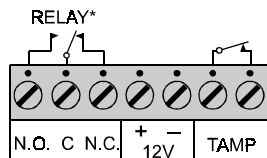


Figure 6. Terminal Block

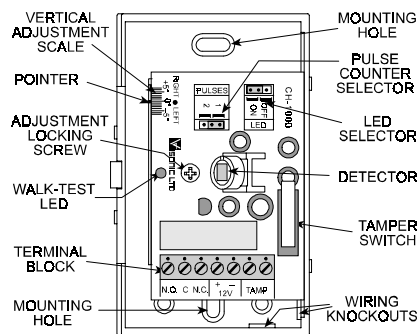


Figure 7. Printed Circuit Board

4.3 Curtain Adjustment

The calibrated adjustment scale (printed on the left corner of the p.c. board) and the plastic pointer on the base indicate in degrees the approximate horizontal angle between the center line of the unit and the direction of the curtain pattern.

The scale enables fast and easy adjustment of the curtain to the left or to the right of about 7° in either direction.

As shipped, all CH-1000 detectors are factory-preset to 0°. To change the horizontal pattern adjustment, loosen the screw which fastens the printed circuit board to the base. Slide the p.c. board to the left or to the right as desired and tighten the screw firmly.

The markings "left" and "right" on the p.c. board indicate the direction of the pattern adjustment, relative to the unit, as viewed from the unit in the direction of the curtain pattern.

4.4 Setting the Pulse Counter

The CH-1000 is equipped with a selectable pulse counter which can be set to count two consecutive pulses with opposite polarity, before activating the alarm relay. This pulse counter logic requires that the moving person will cross both sides of the curtain pattern, which correspond to the two elements of the dual detector. This provides maximum protection against false alarms caused by environmental disturbances.

- A. **2-pulse setting:** The two-pulse logic may be selected only when the CH-1000 is installed in cold or temperature-controlled locations and where the installation height is less than 3.6 m (12 ft) and the required coverage range is less than 9.0 m (30 ft). Otherwise, one pulse should be selected.
- B. **1-pulse setting:** This setting actually disables the pulse counter. It should be used when maximum detecting sensitivity or fast "catch" performance are of highest importance, such as in high security installations.

4.5 Walk Test

- A. Apply 12 VDC power and allow five minutes for the unit to warm up and stabilize before testing.
- B. Adjust the curtain position as explained in Para. 4.3.
- C. Set the pulse counter per Para. 4.4 above.
- D. Walk-test the coverage area by crossing the curtain from one side to the other (in opposite directions) and observe the LED. The LED lights up whenever the unit detects your motion. Allow 10 seconds between each test for the unit to stabilize. Repeat the test in various locations and distances from the detector up to the far end of the desired coverage range.
- E. After testing, the LED can be disabled to prevent unauthorized persons from tracing the coverage pattern. To disable the LED, set the jumper marked "LED" to the OFF position.

NOTE: *The range and the coverage area should be checked by an alarm technician at least once a year. To assure proper continuous functioning, the user should be instructed to perform a walk test at the far end of the coverage pattern to assure an alarm signal prior to each time the alarm system is armed.*



VISONIC LTD (ISRAEL): P.O.B 22020 TEL-AVIV 61220 ISRAEL. PHONE: (972-3) 645-6789, FAX: (972-3) 645-6788
 VISONIC INC. (U.S.A.): 10 NORTHWOOD DRIVE, BLOOMFIELD CT. 06002-1911. PHONE: (860) 243-0833, (800) 223-0020 FAX: (860) 242-8094
 VISONIC LTD. (UK): UNIT 1, STRATTON PARK, DUNTON LANE BIGGLESWADE, BEDS. SG18 8QS. PHONE: (01767) 600857 FAX: (01767) 601098
 INTERNET: www.visonic.com

©VISONIC LTD. 2001 CH-1000 D-1100-0 NEW: DE1100- (REV. 4, 8/01)

Refer to a separate warranty statement

