



D-300872

MCT-560



English Wireless Temperature Detector Installation Instructions

Português Detectores de Temperatura Supervisionado Sem Fios PowerCode Instruções de Instalação

Español Detector de Temperatura inalámbrico, instrucciones de Instalación.

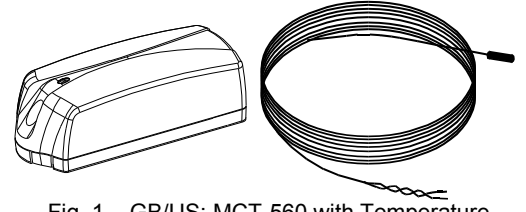


Fig. 1 – GB/US: MCT-560 with Temperature Probe / PT: MCT-560 com Sonda de Temperatura / SP: Sonda de Temperatura

ENGLISH

1. General

The MCT-560 is a fully supervised wireless PowerCode detector used with the PowerMax Pro (Ver. 5), PowerMax COMPLETE, and Amber alarm systems. The detector alerts the alarm system control panel upon detecting critical indoor or outdoor temperatures. The detector generates an alarm message when its sensor detects that the temperature has reached a certain temperature point. A restore message is generated when it crosses back the threshold temperature point. There are a total of four fixed temperature points and the user can enable one or more temperature point. The MCT-560 can be used in instances where temperature detection is critical.

Other examples of detector usage are as follows:

- Activating and deactivating pipe heaters at locations where low temperatures may causes the water in pipes to freeze.
- Warn of possible electrical device malfunction due to high or low temperature levels.
- Alerting elderly people of a significant rise or drop in room temperature.

The MCT-560 detects both indoor and outdoor temperatures. The detector monitors room temperature using an internal sensor. For outdoor or refrigerator installations, a waterproof temperature probe (optional) is used.

When the probe is connected, the temperature measurement is performed only by the probe sensor. When the probe is not connected, the temperature measurement is performed only by the detector's internal sensor.

Once the predefined temperature is reached, the detector wirelessly updates the alarm system control panel which then sends a notification to the central station or uses the PGM/X-10 controls to switch on a connected appliance, for example, a heater or air conditioner.

Note: When using the temperature probe to monitor refrigerator temperature, the temperature probe is installed inside the refrigerator, while the detector is installed on the wall or ceiling. For outdoor installations, the temperature probe is installed outdoors, while the detector is installed indoors.

Upon alarm, a digital message is transmitted, composed of the unit ID followed by message data.

Since messages transmitted by the MCT-560 might collide with transmissions from other PowerCode detectors, a "smart" anti-collision transmission sequence is used.

The MCT-560 tamper switch is activated when the MCT-560 is removed from the mounting surface or when the MCT-560 securing screw (see Fig. 4 point 1) is removed. A periodic supervision message is transmitted automatically once every 15 or 60 minutes, or according to local requirements.

An LED lights whenever alarm, alarm restore or tamper events are reported.

Operating power is obtained from an on-board 3 V Lithium battery. A weak battery will result in a "low battery" message.

Features

- The MCT-560 is compatible with supporting versions of PowerMax Pro, PowerMax COMPLETE, and Amber.
Note: There is no backward compatibility with PowerMax and Amber models produced before the year 2007.
- Internal sensor
- An external temperature probe (cat. no. 99-300890) enables outdoor and refrigerator temperature sensing
- Four selectable temperatures
- Fully supervised PowerCode detector
- Front and back tamper
- Long battery life

- Low battery supervision
- Probe disconnected supervision
- Alert transmission indication using an LED

2. Specifications

Frequency (MHz): 315, 433.92, 868.95, 869.2026 or other frequency per local requirements.

Maximum Tx Power: 10dBm @ 433MHz, 14dBm @ 868MHz

Communication Protocol: PowerCode

Detector's ID Code: 24-bit digital word, over 16 million combinations, pulse width modulation

Temperature Alarm or Tamper Message Repetition: Repetitive transmission (once every 15 minutes) until the alarm is restored.

Supervision: Signaling at 60 min. (USA) or 15 min. (Europe) intervals.

RFI protection: >20 V/m 80 to 2000 MHz

Temperature measurement accuracy (internal sensor or optional probe): ±1.5°C (±2.7°F)

Probe cable length: 3.5m

Power Source: 3V Lithium CR-2 type battery, Panasonic, Sanyo or equivalent

Transmission LED: Lights for 2 sec when reports alarm, alarm restore or tamper events.

Battery Life Expectancy:

– For supervision signaling every 60 min - up to 10 years typical use.

– For supervision signaling every 15 min - up to 8 years typical use.

Battery Supervision: Automatic transmission of battery condition data as part of any status report.

Operating Temperature (indoor): -20°C to 50°C (-4°F to 122°F).

Probe Operating Temperature (outdoor): -30°C to 70°C (-22°F to 158°F).

Storage Temperature (indoor): -20°C to 60°C (-4°F to 140°F).

Dimensions: 92 x 36.5 x 31 mm (3-5/8 x 1-7/16 x 1-1/4 in.).

Weight (excluding battery): 50 g (1.8 oz)

Compliance with Standards:

Europe: EN 300 220, EN 301489, EN 50130- 4, EN 60950-1

USA: FCC- CFR47 Part 15

Canada: IC-RSS 210

This device complies with Part 15 of the FCC Rules and RSS-210 of Industry and Science Canada. Operation is subject to the following two conditions: (1) This device may not cause harmful interference, and (2) this device must accept any interference received, including interference that may cause undesired operation.

Hereby, Visonic Ltd. declares that the radio equipment type MCT-560 is in compliance with Directive 2014/53/EU.

The full text of the EU declaration of conformity is available at the following internet address:

<http://www.visonic.com/download-center>.

3. Preparation for Use

Follow the instructions in Figs. 2 and 3 showing how to open the detector cover and gain access to the DIP switch.

A. Function Switches

The MCT-560 has a 4-position DIP switch function selector (Fig. 3) that enables selection of up to 4 temperatures at which the detector will send an alert. Each switch lever enables one temperature alert.

All switches are set to OFF, by default. Setting a switch to ON enables the MCT-560 to detect the matched temperature as listed in Table 1.

Table 1. Alarm and restore conditions

Temp. point#	Application	Alarm condition		Restore condition	
		Threshold	Duration [min]	Threshold	Duration [min]
T1	Freezer fault	Temp rises above -10°C (14°F)	30	Temp drops below -11°C (12°F)	10
T2	Freezing temp sensing	Temp drops below 7°C (45°F)	10	Temp rises above 8°C (46°F)	10
T3	Cold temp sensing	Temp drops below 19°C (66°F)	10	Temp rises above 20°C (68°F)	10
T4	Hot temp sensing	Temp rises above 35°C (95°F)	10	Temp drops below 34°C (93°F)	10

Duration: The temperature must pass beyond the threshold for the required duration in order to generate an alarm or restore transmission.

B. Setting the Switches

Set the function switches as desired prior to applying power (see Fig. 2). To enable temperature alarms, select at least one temperature point according to Table 2. Use a ball point pen or another pointed object to shift the switch levers.

Table 2. Getting acquainted with the function selector

Sw-	Temperature point	off	on	Default
SW1	T1	Disable	Enable	OFF
SW2	T2	Disable	Enable	OFF
SW3	T3	Disable	Enable	OFF
SW4	T4	Disable	Enable	OFF

C. LED indications

Event	LED
Power up	Flashes for 10 sec
Tamper close	
Tamper open	On for 2 sec
T1/T2/T3/T4 Alarm	
T1/T2/T3/T4 Restore	
<ul style="list-style-type: none"> Low battery Probe disconnect Supervision expiry time 	OFF

WARRANTY

Visonic Ltd. and/or its subsidiaries and its affiliates ("the Manufacturer") warrants its products hereinafter referred to as "the Product" or "Products" to be in conformance with its own plans and specifications and to be free of defects in materials and workmanship under normal use and service for a period of twelve months from the date of shipment by the Manufacturer. The Manufacturer's obligations shall be limited within the warranty period, at its option, to repair or replace the product or any part thereof. The Manufacturer shall not be responsible for dismantling and/or reinstallation charges. To exercise the warranty the product must be returned to the Manufacturer freight prepaid and insured.

This warranty does not apply in the following cases: improper installation, misuse, failure to follow installation and operating instructions, alteration, abuse, accident or tampering, and repair by anyone other than the Manufacturer.

This warranty is exclusive and expressly in lieu of all other warranties, obligations or liabilities, whether written, oral, express or implied, including any warranty of merchantability or fitness for a particular purpose, or otherwise. In no case shall the Manufacturer be liable to anyone for any consequential or incidental damages for breach of this warranty or any other warranties whatsoever, as aforesaid.

This warranty shall not be modified, varied or extended, and the Manufacturer does not authorize any person to act on its behalf in the modification, variation or extension of this warranty. This warranty shall apply to the Product only. All products, accessories or attachments of others used in conjunction with the Product, including batteries, shall be covered solely by their own warranty, if any. The Manufacturer shall not be liable for any damage or loss whatsoever, whether directly, indirectly, incidentally, consequentially or otherwise, caused by the malfunction of the Product due to products, accessories, or attachments of others, including batteries, used in conjunction with the Products.

The Manufacturer does not represent that its Product may not be compromised and/or circumvented, or that the Product will prevent any death, personal and/or bodily injury and/or damage to property resulting from burglary, robbery, fire or otherwise, or that the Product will in all cases provide adequate warning or protection. User understands that a properly installed and maintained alarm may only reduce the risk of events such as burglary, robbery, and fire without warning, but it is not insurance or a guarantee that such will not occur or that there will be no death, personal damage and/or damage to property as a result.

The Manufacturer shall have no liability for any death, personal and/or bodily injury and/or damage to property or other loss whether direct, indirect, incidental, consequential or otherwise, based on a claim that the Product failed to function. However, if the Manufacturer is held liable, whether directly or indirectly, for any loss or damage arising under this limited warranty or otherwise, regardless of cause or origin, the Manufacturer's maximum liability shall not in any case exceed the purchase price of the Product, which shall be fixed as liquidated damages and not as a penalty, and shall be the complete and exclusive remedy against the Manufacturer.

Warning: The user should follow the installation and operation instructions and among other things test the Product and the whole system at least once a week. For various reasons, including, but not limited to, changes in environmental conditions, electric or electronic disruptions and tampering, the Product may not perform as expected. The user is advised to take all necessary precautions for his/her safety and the protection of his/her property.

6/91



W.E.E.E. Product Recycling Declaration

For information regarding the recycling of this product you must contact the company from which you originally purchased it. If you are discarding this product and not returning it for repair then you must ensure that it is returned as identified by your supplier. This product is not to be thrown away with everyday waste.
European Directive 2002/96/EC Waste Electrical and Electronic Equipment.

4 Installation, Enrolling and Testing

1. Installation:

The MCT-560 can be installed indoors on walls or on ceilings and in any direction. For installing outdoors or on refrigerators use the temperature probe (see Figs. 1 and 3).

Mount the bracket in the monitored area as close as possible to the control panel to ensure optimum reception of the RF signal.

If there is a short circuit between the two probe terminals (factory default) the detector measures the temperature using its internal sensor. If the probe terminals are not shorted, the internal sensor is disabled and the temperature is measured by the probe.

Note: Open probe terminals generate a "Probe Disconnected Trouble" transmission.

2. Insert the battery between the battery clips (see Fig. 2), at the correct polarity. For proper operation, only a Lithium battery (Panasonic / Sanyo type CR2 or equivalent) should be used.

Note: When replacing a battery, it is necessary to wait 30 seconds between removing the used battery and inserting the new one.

3. Enrolling:

Enroll the detector's ID into the alarm system memory according to the alarm system installation instructions. When in Enrolling mode, press the tamper switch to activate transmission.

4. Mounting the detector:

Mount the MCT-560 on the bracket.

5. Tamper test:

Perform a tamper test to ensure reception between the MCT-560 and the control panel. Activate the Tamper function by removing the MCT-560 from its bracket as shown in Figure 4 step 1.

Note: Since the cover is removed and power is applied, a tamper situation exists. Verify that the MCT-560 transmits (the LED lights briefly).

When you are satisfied that tamper alert is transmitted properly, close the MCT-560 front cover on to return the tamper switch to its normal position. Then, secure the front cover to the base with the case closure screw.

PORTUGUÊS

1. Introdução

O MCT-560 é um detector PowerCode sem fios totalmente supervisionado, compatível os sistemas PowerMaxPro (Ver. 5), PowerMax COMPLETE e sistemas de TeleAssistência Amber. O detector avisa o sistema de controle logo que detecte temperaturas críticas quer no interior, quer no exterior do local de instalação. O detector gera uma mensagem de alerta quando o seu sensor atinge uma determinada temperatura. Quando a temperatura regressa aos valores pré-estabelecidos é enviada uma mensagem de restauração. Existem quatro níveis de temperatura definidos e o utilizador pode escolher um ou mais níveis de temperatura.

O MCT-560 pode ser utilizado em situações em que a detecção da temperatura é fundamental.

Outros exemplos da utilização do detector tais como:

- Para activar ou desactivar sistemas de aquecimento de condutas, em locais em que as baixas temperaturas podem provocar a congelação da água nos canos.

- Aviso de possível avaria de dispositivo eléctrico devida a níveis de temperatura elevados ou baixos.
- Alertar os idosos para mudanças significativas de temperatura no interior.

O MCT-560 detecta as temperaturas no interior e no exterior do local de instalação. O detector monitoriza a temperatura interior utilizando um sensor interno. Para o exterior ou instalações de refrigeração, é utilizada uma sonda de temperatura à prova de água (opcional).

Quando a sonda está ligada, a medição da temperatura é realizada apenas pelo sensor da sonda. Quando a sonda não está ligada, a temperatura é medida apenas pelo sensor interno do detector.

Assim que a temperatura pré-definida seja atingida, o detector sem fios informa o painel de controle do sistema que depois envia uma notificação para os telefones particulares, central receptora ou utiliza os controlos PGM/X-10 para activar ou desactivar um dispositivo eléctrico, como por exemplo, um aquecedor ou um ar condicionado.

Nota: Quando se utiliza a sonda de temperatura para controlar a temperatura do frigorífico, a sonda de temperatura é instalada dentro do frigorífico, enquanto que o detector é instalado na parede ou no tecto. No caso de instalações exteriores, a sonda de temperatura é instalada no exterior, enquanto que o detector é instalado no interior.

Em presença de uma situação de alarme, o código de identificação do detector é enviado, utilizando uma sequência de transmissão anti-colisão, evitando que as mensagens transmitidas pelo MCT-560 possam interferir com outras transmissões dos detectores PowerCode.

O interruptor de sabotagem do MCT-560 é activado quando o detector é retirado do local de instalação ou quando o parafuso de segurança (ver Fig. 4, ponto 4) é removido. Além disso, cada 15 ou 60 minutos, conforme os requisitos locais, é transmitida uma mensagem periódica de supervisão.

Através de um indicador luminoso informa-se a presença de um alarme, mensagem de restauração ou sabotagem.

A alimentação é proporcionada por uma pilha de Lithium de 3V, que quando se encontrar fraca, será indicada por uma mensagem de "bateria fraca" para o painel de controlo.

Características

- O MCT-560 é compatível com as versões da PowerMaxPro, PowerMax COMPLETE e Amber;
- Nota:** Não existe compatibilidade com os sistemas PowerMax e modelos Amber produzidos antes do ano de 2007.
- Sensor interno;
- A sonda de temperatura externa (Refª. 99-300890) permite monitorizar a temperatura exterior ou a temperatura do frigorífico;
- Quatro níveis de temperatura seleccionáveis;
- Detector PowerCode totalmente supervisionado;
- Interruptor de sabotagem frontal e posterior;
- Bateria de longa duração;
- Supervisão do estado da bateria;
- Supervisão do estado da sonda (desligada);
- Indicador luminoso de transmissão.

2. Especificações

Frequência (MHz): 315, 433.92, 868.95, 869.2026 ou outra frequência conforme os requisitos locais.

Potência máxima de transmissão: 10 dBm a 433 MHz, 14 dBm a 868 MHz.

Protocolo de Comunicação: PowerCode

Código de Identificação do Detector: Código digital de 24 bits, possibilitando mais de 16 milhões de combinações, comprimento de onda regulável.

Mensagem de Alarme de Temperatura ou de Sabotagem: Transmissão repetitiva (a cada 15 minutos) até o alarme ser restaurado.

Supervisão: Com intervalos de 60 min. (EUA) ou de 15 min. (Europa).

Protecção de Interferências: >20 V/m 80 até 2000 MHz.

Precisão da Medição de Temperatura (sensor interno ou sonda opcional): ±1.5°C.

Comprimento do cabo da sonda: 3.5 m.

Alimentação: Pilha de 3 V Lithium tipo CR-2, Panasonic, Sanyo ou equivalente.

Indicador Luminoso: Acende-se durante 2 segundos quando comunica situações de alarme, de restauração ou de sabotagem.

Tempo de Duração da Pilha

- Para vigilância activa cada 60 min – até 10 anos em funcionamento normal.

- Para vigilância activa cada 15 min – até 8 anos em funcionamento normal.

Supervisão da Pilha: Transmissão automática do estado da pilha como parte integrante de qualquer mensagem enviada.

Temperatura de Operação (interior): -20°C até 50°C.

Temperatura de Operação da Sonda (exterior): -30°C até 70°C.

Temperatura de Armazenamento (interior): -20°C até 60°C.

Dimensões: 92 x 36.5 x 31 mm.

Peso ((sem pilha): 50 g.

Conformidade com as Normas:

Europa: EN 300 220, EN 301489, EN 50130- 4, EN 60950-1

EUA: FCC- CFR47 Part 15

Canadá: IC-RSS 210

Este dispositivo está de acordo com o ponto 15 das normas FCC e RSS-210 para a indústria e ciência do Canadá. A sua operação está sujeita às duas condições que se seguem: (1) Este dispositivo não pode causar interferência prejudicial e (2) este dispositivo deve aceitar qualquer interferência recebida, incluindo interferência que cause operação não desejada.

Por meio deste, a Visonic Ltd. declara que o tipo de equipamento de rádio MCT-560 está em conformidade com a Diretiva 2014/53/EU. O texto integral da declaração de conformidade com a diretiva está disponível no endereço: <http://www.visonic.com/download-center>

3. Preparação da Instalação

Siga as instruções das Figs. 2 e 3 que mostram como abrir a tampa do detector e ter acesso aos microinterruptores.

A. Microinterruptores de Funções

O MCT-560 tem 4 microinterruptores (Fig. 3) que permitem a escolha de até 4 temperaturas, com as quais o detector emitirá um alarme. Cada posição permite uma temperatura de alarme.

Por defeito todos os microinterruptores são colocados na posição "OFF". A colocação de um microinterruptor na posição de "ON" permite ao MCT-560 detectar as temperaturas seleccionadas conforme indicadas no quadro 1.

Quadro 1. Condições de Alarme e de Reparação

Posição	Aplicação	Alarme		Restauração	
		Limites	Duração	Limite	Duração
T1	Falha no frigorífico	Acima de -10°C	30 min.	Abaixo dos -11°C	10 min.
T2	Temperatura de congelação	Abaixo de 7°C	10 min.	Acima dos 8°C	10 min.
T3	Deteção de baixa temperatura	Abaixo dos 19°C	10 min.	Acima dos 20°C	10 min.
T4	Deteção de temperatura elevada	Acima dos 35°C	10 min.	Abaixo dos 34°C	10 min.

Duração: A temperatura tem de ultrapassar o limite durante o tempo indicado, para gerar um alarme ou uma restauração.

B. Activar os Microinterruptores

Active os microinterruptores de funções conforme desejar antes de ligar o detector (ver Fig. 2). Para alarmes de temperatura, seleccione pelo menos 1 nível de temperatura de acordo com o quadro 2. Utilize a ponta de uma esferográfica ou qualquer outro objecto pontiagudo para modificar a posição dos microinterruptores.

Quadro 2. Posições dos microinterruptores de funções

Posição	Nível de Temperatura	OFF	ON	Por defeito
1	T1	Desligado	Ligado	OFF
2	T2	Desligado	Ligado	OFF
3	T3	Desligado	Ligado	OFF
4	T4	Desligado	Ligado	OFF

C. Indicações Luminosas

Acontecimento	Indicador Luminoso
Ligado	Pisca durante 10 segundos
Interruptor Sabotagem Fechado	
Interruptor Sabotagem Aberto	Ligado durante 2 segundos
Alarme T1/T2/T3/T4	
Restauração T1/T2/T3/T4	
<ul style="list-style-type: none"> Bateria Fraca Sonda desligada Tempo de supervisão ultrapassado 	Desligado

4 Instalação, Registo e Teste

1. Instalação:

O MCT-560 pode ser instalado no interior, em paredes ou tectos e em qualquer direcção. Para instalação no exterior ou em frigoríficos use a sonda de temperatura (ver Figs. 1 e 3).

Monte o detector na área a vigiar e tão perto quanto possível do painel de controle para assegurar a melhor propagação de sinal.

Se existir um curto-circuito entre os dois terminais da sonda (montado por defeito), o detector mede a temperatura utilizando o seu sensor interno. Se os terminais da sonda não estiverem curto-circuitados, o sensor interno é desactivado e a temperatura é medida pela sonda.

Nota: A interrupção de continuidade dos terminais da sonda gera uma transmissão de "Problema - Sonda Desligada".

- Introduza a pilha nos suportes (ver Fig. 2), tendo em atenção a polaridade. **Para bom funcionamento, só deverá ser utilizada uma pilha de Lithium (Panasonic / Sanyo tipo CR2 ou equivalente).**


Nota: Quando se substitui a pilha, é necessário aguardar 30 segundos após retirar a pilha usada e antes de introduzir a nova.

- Registo:
Registe a identificação do detector na memória do sistema de alarme de acordo o manual de instruções do painel de controlo.
Quando solicitada a transmissão, pressione o interruptor de sabotagem para efectuar a transmissão.
- Montagem do detector:
Monte o MCT-560 no suporte.
- Teste do interruptor de sabotagem:
Realize um teste ao interruptor de sabotagem para assegurar que

existe uma boa transmissão entre o MCT-560 e o painel de controlo. Active o interruptor de sabotagem removendo o MCT-560 do seu suporte conforme mostra a Figura 4 passo 1.

Nota: Logo que a tampa é retirada e a energia fornecida, existe uma situação de sabotagem. Verifique a transmissão do MCT-560 (o indicador luminoso acende-se por breves segundos).

Após a realização dos testes adequados, feche a tampa frontal do MCT-560 para voltar a colocar o interruptor na sua posição normal. Depois, fixe a tampa frontal à base com o parafuso de fecho.

	REEE - Resíduos de Equipamentos Eléctricos e Electrónicos Para informações acerca da reciclagem deste produto, deve contactar a empresa onde o adquiriu. Caso não pretenda a reparação e pretende desfazer-se deste produto deve assegurar-se que a devolução é conforme as indicações do fornecedor. <u>Este produto não é para deitar fora como o lixo doméstico normal.</u> Directiva 2002/96/CE relativa aos Resíduos de Equipamentos Eléctricos e Electrónicos.
---	---

GARANTIA

A Visonic td., as Subsidiárias, Filiais e Distribuidores ("O Fabricante") garante que os seus produtos designados daqui para a frente como "O Produto" ou "Produtos" estão em conformidade com as suas especificações e livres de defeitos de fabrico em uso e assistência normal por um período de 12 meses a partir da data de envio do fabricante (o período da garantia pode variar conforme as normas regulamentadas em cada país em que seja comercializado). As responsabilidades do fabricante durante o período da garantia serão limitadas à reparação ou substituição do produto ou qualquer parte do mesmo. O fabricante não será responsável por despesas de montagem/desmontagem. Para reclamar a garantia o produto deverá ser devolvido ao fabricante com portes pagos e devidamente segurado.

A garantia não será válida nos seguintes casos: instalação incorrecta, má utilização, uso incorrecto da informação contida nos manuais, alterações, abuso, acidente, e reparações efectuadas por outros que não o fabricante.

Esta garantia é exclusiva e válida sobre todas as outras garantias escritas, orais, expressas ou implícitas, incluindo qualquer outra garantia com fins particulares ou outros. Em nenhum caso será imputado ao fabricante danos accidentais no caso de não cumprir com o estipulado nesta garantia ou outras conforme dito anteriormente.

Esta garantia não poderá ser modificada, alterada ou expandida e o fabricante não autoriza ninguém a agir por sua iniciativa no que foi dito anteriormente. Esta garantia será aplicada somente ao Produto. Todos os produtos, acessórios ou anexos usados conjuntamente com o produto incluindo baterias, deverão ser cobertos pelas suas próprias garantias se existirem. O fabricante não será responsável por qualquer dano ou perda quer directa, indirecta, acidental consequente ou qualquer outra, causada pelo mal funcionamento do produto devido a equipamentos, acessórios ou outros anexos incluído baterias usadas em conjunto com o Produto.

O fabricante não assegura que o seu produto não possa ser comprometido ou falsificado ou que o produto possa evitar qualquer morte, danos corporais ou materiais, ou resultantes de roubo, extorsão, fogo ou outros, ou que o Produto vá em todos os casos oferecer aviso ou protecção adequados. O Utilizador deve entender que um sistema de alarme bem instalado e com boa assistência pode apenas reduzir o risco de acontecerem roubos, incêndios ou extorsões sem aviso, mas não é uma garantia que tal não irá acontecer ou que não haverá mortes, danos corporais e/ou danos materiais.

O Fabricante não assumirá nenhuma responsabilidade por mortes, danos corporais e/ou danos materiais ou quaisquer outras perdas sejam elas directas, indirectas, a accidentais, consequentes ou outras, baseadas na reclamação de que o Produto não funcionou. No entanto se o Fabricante for considerado responsável, quer directa ou indirectamente por qualquer perda ou dano dentro do período da garantia ou outro independentemente da causa ou origem, a responsabilidade máxima do fabricante não deverá em nenhum caso exceder o preço de compra do produto que será tomado como indemnização e nunca como multa e será o único e exclusivo recurso contra o fabricante.

Aviso: o Utilizador deverá seguir as instruções de instalação e utilização e entre outros deverá testar o Produto e todo o sistema pelo menos uma vez por semana. Por várias razões incluindo, mas não só, diferenças nas condições ambientais, ruptura eléctrica ou electrónicas, o Produto pode não funcionar como previsto. O Utilizador deve tomar todas as precauções necessárias para a sua segurança e protecção dos seus bens.

ESPAÑOL

1. General

T MCT-560 es un detector PowerCode inalámbrico, totalmente supervisado para su uso con los sistemas PowerMax Pro (Ver. 5), PowerMax Complete y Amber. El detector alerta al panel de control una vez que ha detectado una condición crítica de temperatura tanto en interior como en exterior. El detector genera un mensaje de alarma cuando que la temperatura ha alcanzado un valor predeterminado. Un mensaje de restauración es generado cuando el nivel de temperatura predeterminado se ha corregido. [Es posible monitorizar uno ó mas puntos de temperatura.](#)

El MCT-560 puede ser usado en estancias donde el control y detección de temperatura es crítica.

Otros ejemplos de uso para el detector son:

- Activación y desactivación de calentadores de tuberías, en lugares donde las bajas temperaturas pueden causar la congelación del agua dentro de las tuberías.
- Daños de dispositivos eléctricos o electrónicos en salas debidos a un mal funcionamiento de los sistemas de climatización, debido a altos o bajos niveles de temperatura.
- Alertas para personas mayores de posibles riesgos por aumentos o bajadas de temperatura en el interior.

MCT-560 puede utilizarse tanto para medidas de temperatura en exterior como en interior. El control de temperatura en interior, se realiza mediante el uso de la sonda interna. Para exterior, ó instalaciones en cámaras frigoríficas, u otras condiciones debe utilizarse la sonda exterior (opcional).

Quando se conecta la sonda exterior, la medida de temperatura esta referida únicamente a este sensor. Cuando la sonda no está conectada, la medida de temperatura esta referida solamente al sensor interno.

Una vez que la temperatura predefinida es alcanzada, el detector informa vía radio al panel de la condición de alarma, pudiendo este enviar una señal a una central receptora o usar las salidas PGM/X-10 para manejar un aparato conectado, por ejemplo un calefactor o aire acondicionado.

Nota: Cuando se utiliza la sonda para monitorizar la temperatura de un refrigerador, la sonda debe instalarse dentro del refrigerador, mientras que el detector deberá quedar instalado fuera fijado a la pared o techo. Para instalaciones en exterior, la sonda de temperatura se deberá instalar en el exterior, mientras que el detector deberá quedar instalado en el interior..

En caso de alarma, se transmite un mensaje digital, formado por la identificación ID del detector seguido del mensaje de datos.

Para evitar que el mensaje transmitido por el MCT-560 pueda colisionar

con transmisiones de otros dispositivos PowerCode, un sistema de secuencia anti-colision se incluye en todos los dispositivos PowerCode.

El Tamper del MCT-560 se **activa** al separar el detector de su superficie de montaje (ver Fig. 4 punto 1) si el tornillo de seguridad es quitado. Un mensaje de supervisión periódico es transmitido automáticamente cada 15 minutos.

Un LED se activa siempre que se produzca alarma, restauración o activación de tamper, siendo los eventos transmitidos.

La alimentación es proporcionada por una batería interna de 3 V de Lithio. Cuando la batería este descargada se enviará un mensaje de "baja batería".

Características

- El MCT-560 es compatible con las diferentes versiones de PowerMax Pro, PowerMax Complete, y Amber.
Nota: No es compatible con versiones de PowerMax y Amber fabricadas antes del año 2007.
- Sensor de Temperatura Interno.
- La sonda de temperatura (núm. cat. 99-300890) permite el registro de temperatura en exterior y dentro de un refrigerador.
- Cuatro Temperaturas seleccionables
- Transmisor PowerCode totalmente supervisado
- Tamper frontal y posterior
- Batería de larga duración
- Supervisión de baja batería
- Supervisión de sonda desconectada
- Indicación mediante LED de envío de eventos (transmisión)

2. Especificaciones

Frecuencia (MHz): 315, 433.92, 868.95, 869.2026 u otras frecuencias según normas locales.

Potencia de transmisión máxima: 10 dBm a 433 MHz, 14 dBm a 868 MHz.

Protocolo de Comunicaciones: PowerCode

Código ID del DetectorCode: 24-bits digital, más de 16 millones de combinaciones posibles, modulación por ancho de pulsos.

Repetición de Mensaje de Alarma de Temperatura ó Tamper: Transmisión Repetitiva (una vez cada 15 minutos) hasta que la condición es restablecida.

Supervisión: Intervalos de señalización cada 60 min. (USA) ó 15 min. (Europa).

Protección RFI: >20 V/m 80 a 2000 MHz

Precisión de medida de Temperatura (sensor interna o sonda opcional): $\pm 1.5^{\circ}\text{C}$ ($\pm 2.7^{\circ}\text{F}$)

Longitud de cable sonda: 3.5m

Alimentación: Pila 3 V Lithium CR-2 Panasonic, Sanyo o equivalente.

LED Transmisión LED: Luce durante 2 seg.en informe de alarma, tamper ó restauración del evento.

Vida útil de la Batería:

– Para señalización de supervisión cada 60 min - hasta 10 años para un uso normal.

– Para señalización de supervisión cada 15 min - hasta 8 años para un uso normal.

Supervisión de Batería: Transmisión Automática del estado de la batería en cualquier transmisión del detector.

Rango de Temperaturas (interior): -20°C a 50°C (-4°F a 122°F).

Rango de Temperaturas con sonda (exterior): -30°C a 70°C (-22°F a 158°F).

Temperatura de almacenaje (interior): -20°C a 60°C (-4°F a 140°F).

Dimensiones: 92 x 36.5 x 31 mm (3-5/8 x 1-7/16 x 1-1/4 in.).

Peso (excluyendo batería): 50 g (1.8 oz)

Cumple con normas:

Europa: EN 300 220, EN 301489, EN 50130- 4, EN 60950-1

Estados Unidos: FCC- CFR47 Part 15

Canadá: IC-RSS 210

Este dispositivo cumple con la Parte 15 de las Normas FCC y RSS-210 de Industry and Science Canada. Su funcionamiento por tanto está sujeto al cumplimiento de las dos siguientes condiciones: (1) Este dispositivo no produce interferencias perjudiciales, y (2) este dispositivo acepta cualquier interferencia recibida, incluidas aquellas que puedan alterar su modo de operación.

Visonic Ltd. declara por la presente que el tipo de equipo radioeléctrico MCT-560 cumple con la Directiva 2014/53/UE.

El texto completo de la declaración de conformidad UE se puede obtener en la siguiente dirección de Internet:

<http://www.visonic.com/download-center>.

3. Preparación para su uso

Siga las instrucciones señaladas en las Figs. 2 y 3 donde se muestra como abrir el detector y acceder al DIP switch.

A. Funciones de los Switches

El MCT-560 tiene un DIP switch con un selector de 4 posiciones (Fig. 3) que permiten la selección de hasta 4 temperaturas a las cuales el detector enviará una señal de alerta. Cada switch permite una temperatura de alerta.

Todos los switches están en OFF, por defecto. La situación de un switch en ON activa que el MCT-560 detecte la temperatura que se muestra en la siguiente Tabla 1.

Tabla 1. Condiciones de Alarma y restauración

Punto Temp.	Aplicación	Condición de Alarma		Restauración	
		Nivel	Tiempo [min]	Nivel	Tiempo [min]
T1	Fallo del congelador	Temp por encima de -10°C (14°F)	30	Temp baja de -11°C (12°F)	10
T2	Riesgo de congelación	Temp por debajo de 7°C (45°F)	10	Temp supera 8°C (46°F)	10
T3	Detección de baja temp.	Temp por debajo de 19°C (66°F)	10	Temp supera 20°C (68°F)	10
T4	Detección de alta temp.	Temp supera 35°C (95°F)	10	Temp baja de 4°C (93°F)	10

Tiempo de Duración: La temperatura debe superar el nivel señalado durante el tiempo de duración definido para poder generar una alarma ó su restauración.

B. Posiciones de los Switches

Sítúe los switches en la posición deseada antes de instalar la pila (ver Fig. 2). Para activar las alarmas de temperatura, seleccione al menos un punto de temperatura conforme a la tabla 2. Utilice un bolígrafo u otro objeto con punta para mover los switches.

Tabla 2. Funciones obtenidas con el selector

Sw-	Punto Temperatura	off	on	Por Defecto
SW1	T1	Activado	Desactivado	OFF
SW2	T2	Activado	Desactivado	OFF
SW3	T3	Activado	Desactivado	OFF
SW4	T4	Activado	Desactivado	OFF

C. Indicaciones del LED

Evento	LED
Al encender	Flashea durante 10 seg.
Tamper cerrado	
Tamper abierto	On durante 2 seg.
T1/T2/T3/T4 Alarma	
T1/T2/T3/T4 Restauración	
<ul style="list-style-type: none">Baja bateríaSonda desconectadaFallo Supervisión	OFF

4 Instalación, Memorización y Pruebas

1. Instalación:

MCT-560 es un detector para montaje en interior, puede ser instalado en paredes o techos en cualquier dirección. Para su instalación en exteriores ó cámaras refrigeradoras, debe utilizarse la sonda de temperatura (ver Figs. 1 y 3).

Monte el soporte en la zona a monitorizar tan próximo como sea posible a panel PowerMax para asegurar la optima recepción de señal RF.

Si los dos terminales de sonda están cortocircuitados (por defecto de fábrica) el detector realiza las medidas de temperatura usando la sonda de temperatura interna. Si los dos terminales no están cortocircuitados, la sonda interna está deshabilitada, y la medida de temperatura se hará a través de una sonda externa.

Nota: Los Terminales de prueba abiertos generan una transmisión de "Error, Sonda Desconectada".

2. Inserte la batería en sus terminales (ver Fig. 2), respetando la polaridad. Para una correcta operación, solo use baterías de Lithio (Panasonic / Sanyo tipo CR2 or equivalentes).

Nota: Cuando sustituya la batería, es necesario esperar 30 segundos entre la extracción y la inserción de la nueva.

3. Memorización:

Memorize el detector en su sistema de alarma teniendo en cuenta las instrucciones de instalación. En modo MEMORIZAR, pulse el tamper para activar una transmisión.

4. Montaje del detector:


Monte el detector MCT-560 en su soporte.

5. Prueba de Tamper:

Realice una prueba de tamper para asegurar la recepción entre el MCT-560 y el panel de control. Active la función Tamper quitando el MCT-560 de su soporte, como se muestra en la Figura 4, paso 1.

Nota: Una vez que la tapa es quitada y la pila es colocada, active una señal de tamper. Verifique que el MCT-560 transmite (el LED luce).

Una vez que ha verificado que la alarma de tamper es transmitida correctamente, cierre el MCT-560 esto hará que el switch del tamper vuelva a su posición normal. Entonces, asegúrese de que la tapa se cierra con su tornillo de seguridad.

	Declaración de Reciclaje de Producto R.A.E.E. Para información relacionada con el reciclaje de este producto debe contactar con la compañía a la que compró en origen. Si usted va a desechar este producto y no lo va a devolver para reparación debe asegurar que es devuelto como estableció su proveedor. <u>Este producto no se tira con la basura diaria.</u> Directiva europea 2002/96/EC de Residuos de Aparatos Eléctricos y Electrónicos.
---	--

GARANTÍA

Visonic Ltd. y/o sus subsidiarias y afiliadas ("el Fabricante") garantiza que sus productos, en lo sucesivo denominados "el Producto" o "los Productos", se ajustan a sus propios planos y especificaciones y no presentan defectos de materiales o de fabricación en uso y servicio normales durante un periodo de doce meses a partir de la fecha de envío por el Fabricante. Las obligaciones del Fabricante durante el periodo de garantía se limitarán, a su elección, a la reparación o reemplazo del producto o partes del mismo. El Fabricante no será responsable de los costos de desmontaje y/o reinstalación. Para hacer uso de la garantía, el Producto debe ser devuelto al Fabricante con porte pagado y asegurado.

Esta garantía no se aplica a los siguientes casos: Instalación inadecuada, mal empleo, inobservancia de las instrucciones de instalación y operación, alteración, abuso, accidente o manipulación no autorizado, y reparación por cualquiera que no sea el Fabricante.

Esta garantía se ajustará a las normas vigentes en cada estado.

Esta garantía es exclusiva y expresamente en lugar de todas las demás garantías, obligaciones o responsabilidades, ya sea escritas, orales, explícitas o implícitas, incluyendo cualquier garantía de comerciabilidad o de adecuación para un fin determinado, u otras. El Fabricante no será responsable en ningún caso de daños indirectos incidentales cualesquiera por incumplimiento de esta garantía o de otras garantías cualesquiera, como se expresa más arriba.

Esta garantía no debe ser modificada, alterada ni extendida, y el Fabricante no autoriza a nadie a actuar en su nombre en la modificación, alteración o extensión de esta garantía. Esta garantía se aplica al Producto solamente. Todos los productos, accesorios o añadidos de terceros que son utilizados junto con el Producto, incluyendo las baterías, serán amparados por su propia garantía solamente, si ésta existe.

El Fabricante no será responsable de cualquier daño o pérdida, causados ya sea directa, indirecta, incidentalmente o de otra manera, por el funcionamiento defectuoso

del Producto debido a productos, accesorios o añadidos de terceros, incluyendo baterías, que sean utilizados con el Producto.

El Fabricante no pretende que su Producto no pueda ser comprometido o burlado, o que el Producto pueda evitar cualquier muerte, daños corporales o daños materiales u otras pérdidas resultantes de robo con fractura, robo, incendio u otros, o que el Producto pueda brindar una adecuada advertencia o protección en todos los casos. El usuario entiende que una alarma correctamente instalada y mantenida puede sólo reducir el riesgo de eventos como robo con fractura, robo e incendio sin aviso, mas no constituye un seguro o garantía de que los mismos no habrán de ocurrir o de que no se producirán muertes, daños corporales o daños materiales como resultado de ellos.

El Fabricante no asume ninguna responsabilidad por muertes, daños corporales o daños materiales u otras pérdidas cualesquiera, ya sean directos, indirectos, incidentales o de otra naturaleza, basados en una afirmación de que el Producto no funcionó. Sin embargo, si el Fabricante fuese considerado directo o indirectamente responsable de cualquier pérdida o daño que se produzca al amparo de esta garantía limitada o de otra manera, sin tener en cuenta la causa u origen de los mismos, la responsabilidad máxima del Fabricante no podrá superar en ningún caso el precio de adquisición del producto. Dicha responsabilidad será fijada como una indemnización y no como una pena, y constituirá el único y exclusivo recurso contra el Fabricante.

Advertencia: El usuario deberá obedecer las instrucciones de instalación y funcionamiento, y entre otras cosas, probará el Producto y la totalidad de sistema por lo menos una vez por semana. Por diversas razones, entre ellas cambios de las condiciones ambientales, trastornos eléctricos o electrónicos y manipulación indebida o no autorizada, el Producto puede no funcionar como se espera. Se aconseja al usuario tomar todas las precauciones necesarias para su propia seguridad y para la protección de su propiedad.

(6/91)

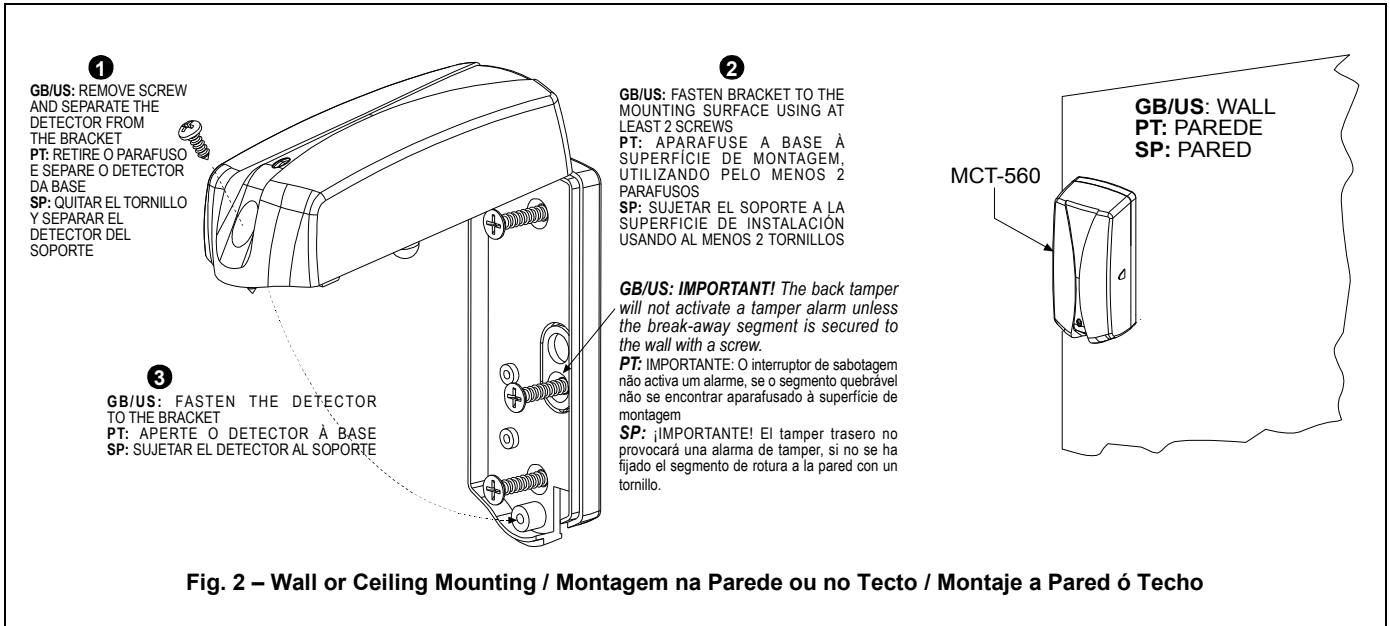


Fig. 2 – Wall or Ceiling Mounting / Montagem na Parede ou no Tecto / Montaje a Pared ó Techo

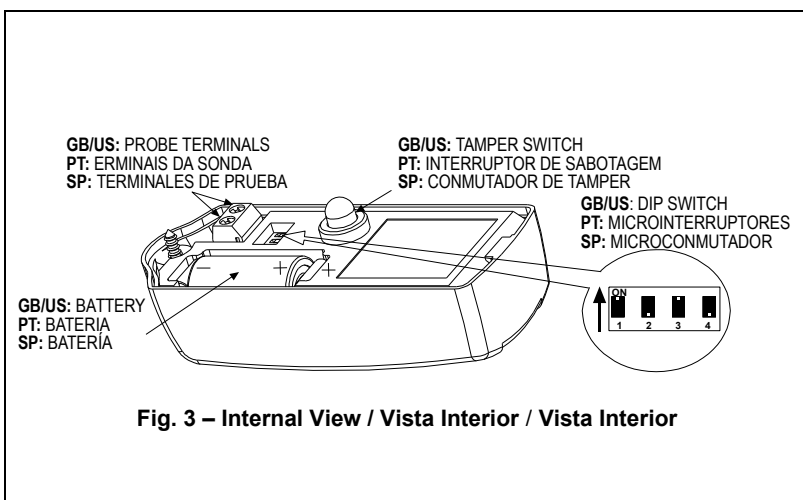


Fig. 3 – Internal View / Vista Interior / Vista Interior

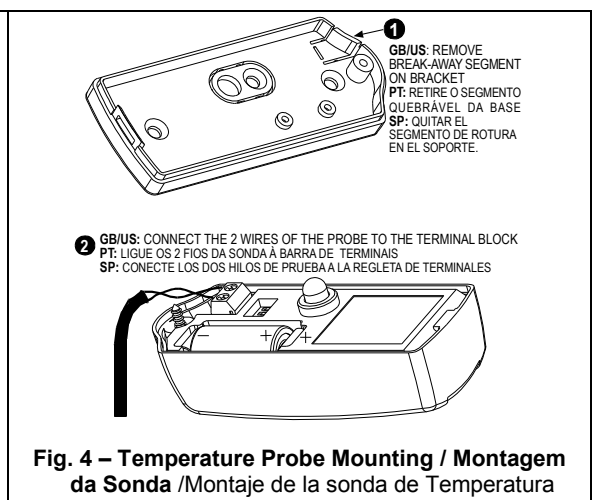


Fig. 4 – Temperature Probe Mounting / Montagem da Sonda /Montaje de la sonda de Temperatura



EMAIL: info@visonic.com

INTERNET: www.visonic.com

©VISONIC LTD. 2018MCT-560 English, Portuguese, Spanish D-300872 (REV. 2, 03/18)



D-300872

