

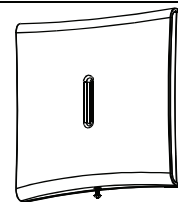
MCX-610

English

Wireless Repeater for PowerCode Communications - Installation Instructions

Español

Repetidor Inalámbrico para Comunicaciones PowerCode - Instrucciones de Instalación



ENGLISH

1. INTRODUCTION

The MCX-610 is a range extender designed to relay digital data between wireless devices and a control panel. Repeater links are required when the control panel is beyond the range of at least some of the devices and is therefore incapable of receiving transmissions directly (see Figure 1).

Devices whose message transmissions need to be repeated by the repeater must be enrolled to the repeater and to the control panel.

Features

- Supports 1way and 2way* keyfob and detector devices
- Mains powered
- 36 hours backup battery (rechargeable)
- Front and back tamper protected
- Enrolment and test buttons
- Diagnostic of installation performance
- AC power fail indication (green LED)
- Activity (RF) indication (blue LED)
- Compatible with PowerMaxExpress PowerMaxComplete PowerMaxPro, PowerMax+ and PowerMax1 versions
- Indoor environment

Note: MCX-610 does not support wireless sirens and repeater chains.

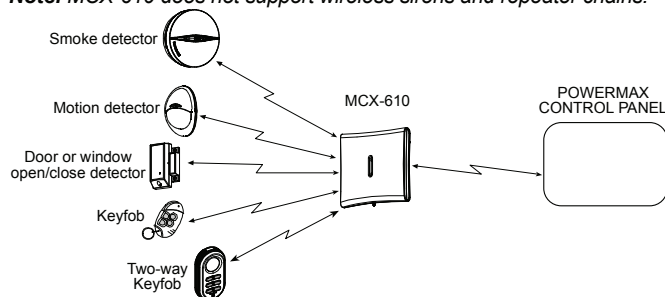


Figure 1 - Repeater Configuration

2. SPECIFICATIONS

Frequency Band (MHz):

Europe: 868.95 and 433.92

USA & Canada: 315

Antenna: Diversity antenna

Enrolled devices: Up to 50 devices may be enrolled to the repeater.

Communication Protocol: PowerCode

AC Power Supply: AC to AC adaptor.

120 VAC, 60 Hz / 9 VAC, 0.35 A min. (in the U.S.A.)

230 VAC, 50 Hz / 9 VAC, 0.35 A min.

For Europe: Unit shall be powered by 9VAC only by suitably rated (min. 0.35A rated output, 49°C permitted ambient) SELV (safety extra low voltage) Limited Power Source (LPS) AC/AC transformer.

Backup Battery: 4.8-Volt 1300 mAh NiMH rechargeable.

Caution: Risk of explosion if battery is replaced by an incorrect type. Dispose of used batteries according to the manufacturer's instructions.

Current drain at 5.7 VDC: 90 mA

Battery Backup Duration (with fully charged 1300 mA/h battery) 36 hours:

LED indicator: Green LED lights when AC power on. Blue LED lights during transmission.

Supervision: A periodic supervision message is transmitted automatically once every 15 minutes at 433.92 and 868.95 MHz and once every hour at 315 MHz.

Complies with Standards:

Europe CE: EN 300220, EN 301489, EN 50130-4, EN 60950

USA: CFR 47 part 15,

Canada: RSS 210

Operating Temperature: 0°C to 49°C (32°F to 120°F).

Dimensions (H x W x D): 161x161x50mm (6-7/16 x 6-7/16 x 1-3/4 in)

Weight: (with battery): 470g (16.5 oz.)

3. FUNCTION

3.1 Service Messages

In addition to repeating messages of enrolled devices, the MCX-610 generates the following event codes automatically:

- Low Battery
- Tamper
- Supervision.

3.2 Indications

Green LED: lights when AC power is available

Blue LED: lights during transmission

4. INSTALLATION

4.1 Repeater's Location Selection

- Install the repeater where good communication is assured with the PowerMax panel or alternative target receiver and with the transmitters deployed in the repeater's coverage area
- Make sure the repeater is mounted as high as possible above the floor and well away from metal chimneys, large metal cabinets, metal doors and reinforced concrete walls, all of which may reduce the communication range.
- Make sure that the location you have selected is near an electrical outlet.
- Mount the repeater in the selected location as shown in Figure 3.

4.2 Battery Pack Insertion

Note: The rechargeable backup battery must be connected before connecting to AC mains power.

If the backup battery is not connected or if a low battery condition exists when the cover is opened the repeater will beep every 10 seconds.

Note: Battery replacement should be done by a service man.

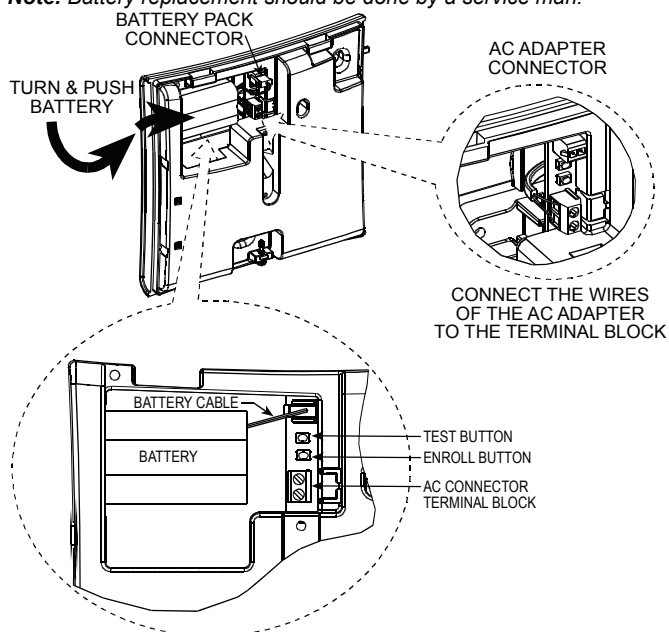


Figure 2 - Battery Pack Insertion

* The MCT-237 2way keyfob is supported by MCX-610 starting from MCT-27 partition version and above.

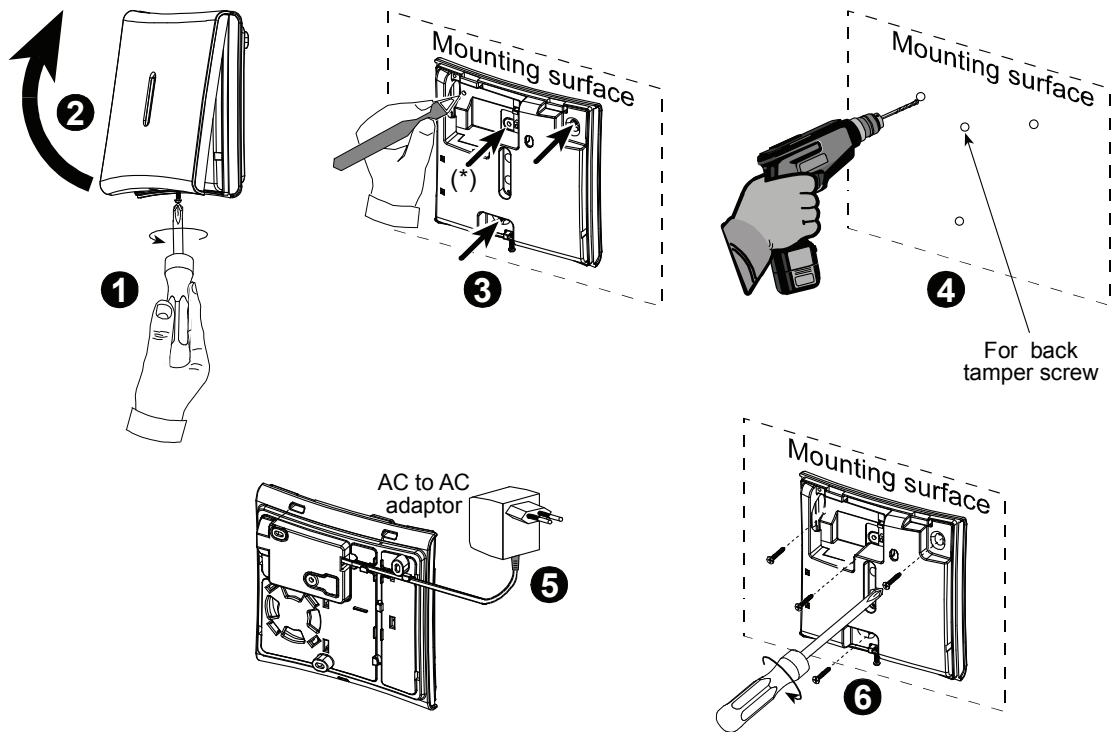


Figure 3 - Installation

4.3 Control Panel Enrollment

MCX-610 repeater must be enrolled to the control panel. Place the panel into enrollment mode (as performed with a detector) and press the tamper switch.

Attention! If the MCX-610 repeater is not enrolled to the control panel you will not receive a low battery, tamper, or supervision service message from the repeater.

4.4 Adding Devices

Devices whose message transmissions need to be repeated by the repeater must be enrolled both to the repeater and to the control panel. A total of 50 devices may be enrolled to the MCX-610. Follow the instructions below for enrolling a device.

- A. Remove the MCX-610 cover.
- B. Press the repeater's enroll button and release it (see Figure 2); the orange LED blinks for 10 sec.
Note: Do not press the enroll button for longer than 3 sec.
- C. Initiate transmission from the device to be enrolled within 10 seconds. In response, the green LED will light and a "happy" beep will sound to indicate successful enrollment of the device.
Note: For enrollment verification, the blue LED will blink when the device is activated.
- D. Repeat steps A to C for enrolling additional devices.

Notes:

- i) If the device was already enrolled in the MCX-610 and the enroll procedure is performed again for the same device to the same MCX-610, the red LED will light and a "sad" failure beep will sound.
- ii) In the event that enrollment is performed after 50 devices have already been enrolled, the green LED does not light and a "sad" failure beep will sound.
- iii) If no transmission has been initiated for more than 10 seconds, the orange LED will extinguish and a double beep will sound.
- iv) Device enrollment cannot be used to link repeaters.

4.5 Deleting Devices

Caution!
Deleting devices procedure must be performed without the cover. The procedure for deleting devices enrolled to the repeater is performed for **all the devices collectively**. It is not possible to clear a specific device from the MCX-610 memory.

- A. Remove the MCX-610 cover.
- B. Press the repeater's enroll button continuously. In response, the following successive stages should be observed:
 - i) The orange LED blinks (3 sec.).

- ii) The red LED blinks and the buzzer beeps at a slow rate (12 sec.).
 - iii) The red LED blinks and the buzzer beeps at a fast rate (5 sec.).
- At the end of the procedure, the red LED will light steadily for 3 sec. and a "happy" beep will sound to indicate successful deletion of all devices

4.6 Local Diagnostics Test

This function allows you to test the signal strength of the enrolled devices as seen by the repeater. Before testing, separate the base from the cover (see Fig. 3).

Caution! Local diagnostic test procedure must be performed without the cover.

Press the repeater's test button for 5 seconds; the green LED blinks for 10 minutes or until the tamper switch is restored. Three reception levels are sensed and indicated as illustrated in the table below.

Received Signal Strength Indication:

Reception	Buzzer Response
Strong	Happy Tune twice (---)(---)
Good	Happy Tune (---)
Poor	Sad tune (---)

IMPORTANT! Reliable reception must be assured. Therefore, "poor" signal strength is not acceptable. If you receive a "poor" signal from the device, re-locate it and re-test until a "good" or "strong" signal strength is received.

4.7 Cover Closure

See figure 4.

Figure 4 - Cover Closure

5. NOTES AND WARNINGS

5.1 Product Limitations

Visonic Ltd. wireless systems are very reliable and are tested to high standards. However there are some limitations to be considered:

- A. Receivers may be blocked by radio signals occurring on or near their operating frequencies
- B. Wireless equipment should be tested regularly to determine whether there are sources of interference and to protect against faults.

5.2 Compliance with Standards

Interference Prevention

This device complies with FCC Rules Part 15. Operation is subject to two conditions: (1) This device may not cause harmful interference, and (2) this device must accept any interference that may be received or that may cause undesired operation.

WARNING! Changes or modifications to this unit not expressly approved by the party responsible for compliance could void the user's authority to operate the equipment.

The digital circuitry of this device has been tested and found to comply with the limits for a Class B digital device, pursuant to Part 15 of the FCC Rules. These limits are designed to provide reasonable protection against harmful interference in residential installations. This equipment generates, uses and can radiate radio frequency energy and, if not installed and used in accordance with the instructions, may cause harmful interference to radio and television reception.

However, there is no guarantee that interference will not occur in a particular installation. If this device does cause such interference, which can be verified by turning the device off and on, the user is encouraged to eliminate the interference by one or more of the following measures:

- Re-orient or re-locate the receiving antenna.
- Increase the distance between the device and the receiver.
- Connect the device to an outlet on a circuit different from the one which supplies power to the receiver.
- Consult the dealer or an experienced radio/TV technician.

This device complies with the essential requirements and provisions of Directive 1999/5/EC of the European Parliament and of the Council of 9 March 1999 on radio and telecommunications terminal equipment.

The technical documentation as required by the European Conformity Assessment procedure is kept at:
UNIT 6 MADINGLEY COURT CHIPPENHAM DRIVE KINGSTON MILTON KEYNES MK10 0BZ. Telephone number: 0870 7300800, Fax number: 0870 7300801



W.E.E.E. Product Recycling Declaration

For information regarding the recycling of this product you must contact the company from which you originally purchased it. If you are discarding this product and not returning it for repair then you must ensure that it is returned as identified by your supplier. This product is not to be thrown away with everyday waste.
European Directive 2002/96/EC Waste Electrical and Electronic Equipment.

WARRANTY

Visonic Limited (the "Manufacturer") warrants this product only (the "Product") to the original purchaser only (the "Purchaser") against defective workmanship and materials under normal use of the Product for a period of twelve (12) months from the date of shipment by the Manufacturer.

This Warranty is absolutely conditional upon the Product having been properly installed, maintained and operated under conditions of normal use in accordance with the Manufacturers recommended installation and operation instructions. Products which have become defective for any other reason, according to the Manufacturers discretion, such as improper installation, failure to follow recommended installation and operational instructions, neglect, willful damage, misuse or vandalism, accidental damage, alteration or tampering, or repair by anyone other than the manufacturer, are not covered by this Warranty.

The Manufacturer does not represent that this Product may not be compromised and/or circumvented or that the Product will prevent any death and/or personal injury and/or damage to property resulting from burglary, robbery, fire or otherwise, or that the Product will in all cases provide adequate warning or protection. The Product, properly installed and maintained, only reduces the risk of such events without warning and it is not a guarantee or insurance that such events will not occur.

THIS WARRANTY IS EXCLUSIVE AND EXPRESSLY IN LIEU OF ALL OTHER WARRANTIES, OBLIGATIONS OR LIABILITIES, WHETHER WRITTEN, ORAL, EXPRESS OR IMPLIED, INCLUDING ANY WARRANTY OF MERCHANTABILITY OR FITNESS FOR A PARTICULAR PURPOSE, OR OTHERWISE. IN NO CASE SHALL THE MANUFACTURER BE LIABLE TO ANYONE FOR ANY CONSEQUENTIAL OR INCIDENTAL DAMAGES FOR BREACH OF THIS WARRANTY OR ANY OTHER WARRANTIES WHATSOEVER, AS AFORESAID.

THE MANUFACTURER SHALL IN NO EVENT BE LIABLE FOR ANY SPECIAL, INDIRECT, INCIDENTAL, CONSEQUENTIAL OR PUNITIVE DAMAGES OR FOR LOSS, DAMAGE, OR EXPENSE, INCLUDING LOSS OF USE, PROFITS, REVENUE, OR GOODWILL, DIRECTLY OR INDIRECTLY ARISING FROM PURCHASER'S USE OR INABILITY TO USE THE PRODUCT, OR FOR LOSS OR DESTRUCTION OF OTHER PROPERTY OR FROM ANY OTHER CAUSE, EVEN IF MANUFACTURER HAS BEEN ADVISED OF THE POSSIBILITY OF SUCH DAMAGE.

THE MANUFACTURER SHALL HAVE NO LIABILITY FOR ANY DEATH, PERSONAL AND/OR BODILY INJURY AND/OR DAMAGE TO PROPERTY OR OTHER LOSS WHETHER DIRECT, INDIRECT, INCIDENTAL, CONSEQUENTIAL OR OTHERWISE, BASED ON A CLAIM THAT THE PRODUCT FAILED TO FUNCTION.

However, if the Manufacturer is held liable, whether directly or indirectly, for any loss or damage arising under this limited warranty, **THE MANUFACTURER'S MAXIMUM LIABILITY (IF ANY) SHALL NOT IN ANY CASE EXCEED THE PURCHASE PRICE OF THE PRODUCT**, which shall be fixed as liquidated damages and not as a penalty, and shall be the complete and exclusive remedy against the Manufacturer.

When accepting the delivery of the Product, the Purchaser agrees to the said conditions of sale and warranty and he recognizes having been informed of.

Some jurisdictions do not allow the exclusion or limitation of incidental or consequential damages, so these limitations may not apply under certain circumstances.

The Manufacturer shall be under no liability whatsoever arising out of the corruption and/or malfunctioning of any telecommunication or electronic equipment or any programs.

The Manufacturers obligations under this Warranty are limited solely to repair and/or replace at the Manufacturer's discretion any Product or part thereof that may prove defective. Any repair and/or replacement shall not extend the original Warranty period. The Manufacturer shall not be responsible for dismantling and/or reinstallation costs. To exercise this Warranty the Product must be returned to the Manufacturer freight pre-paid and insured. All freight and insurance costs are the responsibility of the Purchaser and are not included in this Warranty.

This warranty shall not be modified, varied or extended, and the Manufacturer does not authorize any person to act on its behalf in the modification, variation or extension of this warranty. This warranty shall apply to the Product only. All products, accessories or attachments of others used in conjunction with the Product, including batteries, shall be covered solely by their own warranty, if any. The Manufacturer shall not be liable for any damage or loss whatsoever, whether directly, indirectly, incidentally, consequentially or otherwise, caused by the malfunction of the Product due to products, accessories, or attachments of others, including batteries, used in conjunction with the Products. This Warranty is exclusive to the original Purchaser and is not assignable.

This Warranty is in addition to and does not affect your legal rights. Any provision in this warranty which is contrary to the Law in the state or country where the Product is supplied shall not apply.

Warning: The user must follow the Manufacturer's installation and operational instructions including testing the Product and its whole system at least once a week and to take all necessary precautions for his/her safety and the protection of his/her property.

1/08

ESPAÑOL

1. INTRODUCCION

El MCX-610 es un extensor de alcance diseñado para repetir datos digitales entre dispositivos inalámbricos y un panel de control. Se necesitan enlaces de repetición cuando el panel de control está más allá del alcance de por lo menos alguno de los dispositivos y es por tanto incapaz de recibir transmisiones directamente (Ver la Figura 1).

Los equipos cuya transmisiones de mensajes deben ser repetidos por el repetidor deben estar memorizados en el repetidor y en el panel de control.

Características

- Soporta dispositivos de mando y detectores unidireccionales y bidireccionales*
- Conectado a la red eléctrica
- 36 horas de batería de reserva (recargable)
- Frente y parte de atrás protegidos contra sabotaje
- Botones de Memorización y de Prueba
- Diagnóstico del rendimiento de la instalación

- Indicación de fallo de energía AC (LED verde)
- Indicación de actividad (RF) (LED azul)
- Compatible con las versiones de PowerMaxExpress PowerMaxComplete, PowerMaxPro, PowerMax+ y PowerMax1
- Ambiente interno

Nota: El MCX-610 no es compatible con sirenas inalámbricas y cadenas de repetidores.

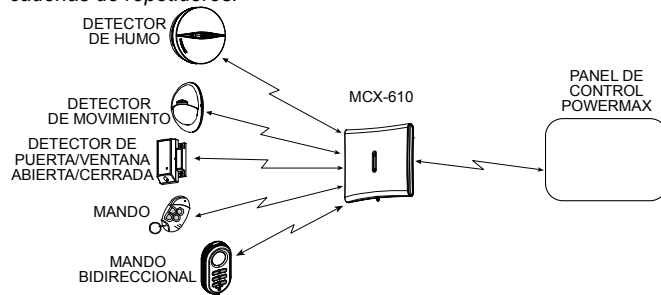


Figura 1 – Configuración del Repetidor

* El mando bidireccional MCT-237 es soportado por el MCX-610 a partir de la versión con particiones y superiores.

2. ESPECIFICACIONES

Banda de Frecuencia (MHz):

Europa: 868.95 y 433.92

USA y Canadá: 315

Antena: Antena de diversidad

Dispositivos Memorizados: Hasta 50 dispositivos pueden ser memorizados en el repetidor.

Protocolo de Comunicación: PowerCode

Alimentación de Energía CA: CA a adaptador CA.

120 VAC, 60 Hz / 9 VAC, 0.35 A min. (en los Estados Unidos)

230 VAC, 50 Hz / 9 VAC, 0.35 A min.

Para Europa: La unidad será accionada por 9VCA solamente por transformador de CA/CA convenientemente clasificado (salida min. clasificada de 0.35A, ambiente permitido de 49° C) SELV (baja tensión de seguridad adicional) Fuente de Alimentación Limitada (LPS).

Batería de Respaldo: 4.8-Volt 1300 mAh NiMH recargable.

Aviso: Existe riesgo de explosión si se sustituye la batería por otra de tipo incorrecto. Deseche las baterías usadas según las instrucciones del fabricante.

Consumo de corriente a 5.7 VDC: 90 mA

Duración de la Batería de Respaldo 36 horas (con una batería de 1300 mA/h totalmente cargada)

Indicador de LED: El LED Verde se enciende cuando la energía CA está activada. El LED Azul se enciende durante la transmisión.

Supervisión: Un mensaje de supervisión periódica es transmitido automáticamente una vez cada 15 minutos a 433.92 y 868.95 MHz y una vez cada hora a 315 MHz.

Cumple con las Normas:

Europa CE: EN 300220, EN 301489, EN 50130-4, EN 60950

USA: CFR 47 parte 15

Canadá: RSS 210

Temperatura de funcionamiento: 0°C a 49°C (32°F a 120°F).

Dimensiones (Al x An x Pr): 161x161x50mm (6-7/16 x 6-7/16 x 1-3/4 pulgadas)

Peso: (con batería): 470g (16.5 oz.)

3. FUNCIONALIDAD

3.1 Mensajes de Servicio

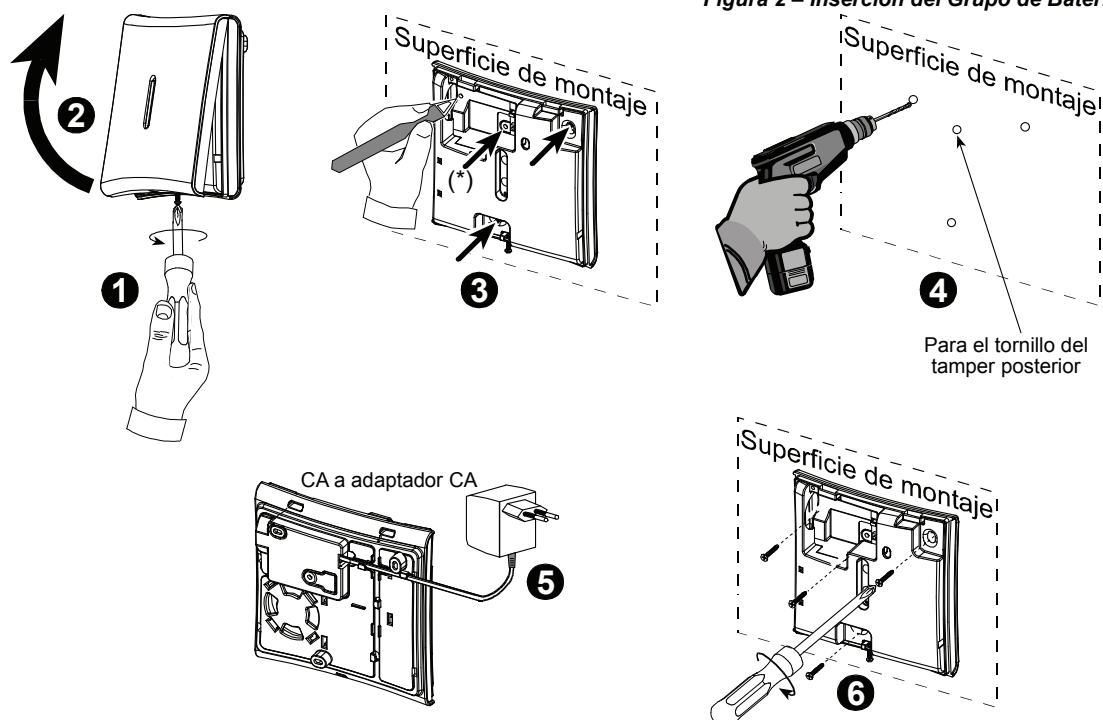
Además de repetir los mensajes de los dispositivos memorizados, el MCX-610 genera automáticamente los siguientes códigos de evento:

- Batería Baja ● Tamper ● Supervisión.

3.2 Indicaciones

LED Verde: se enciende cuando la energía CA está disponible

LED Azul: se enciende durante la transmisión



4. INSTALACIÓN

4.1 Selección de la Ubicación del Repetidor

- Instale el repetidor donde hay una buena comunicación con el panel PowerMax o con el receptor alternativo de destino y con los transmisores situados en el área de cobertura del repetidor.
- Ceróciense de que el repetidor sea montado tan alto como sea posible por encima del suelo y bien alejado de chimeneas de metal, grandes armarios de metal, puertas metálicas y paredes de hormigón armado, los cuales pueden reducir el alcance de comunicación.
- Ceróciense de que la ubicación seleccionada se encuentra cerca de una toma de corriente.
- Monte el repetidor en el local seleccionado, como se muestra en la Figura 3.

4.2 Inserción del Grupo de Baterías

Nota: La batería de respaldo recargable debe estar conectada antes de conectar a la red eléctrica CA.

Si la batería de respaldo no está conectada o si una condición de batería baja se produce cuando la tapa es abierta, el repetidor emitirá una señal acústica cada 10 segundos.

Nota: El reemplazo de baterías debe ser realizado por personal de servicio.

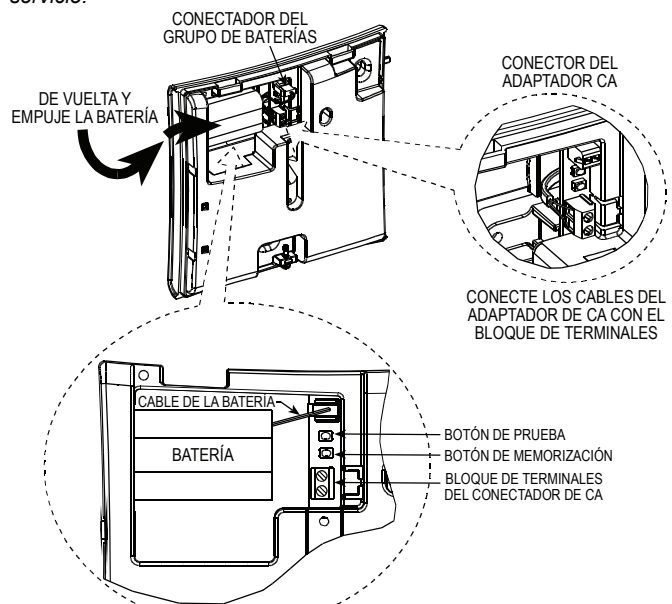


Figura 2 – Inserción del Grupo de Baterías

Figura 3 - Instalación

4.3 Memorizado en el Panel de Control

El Repetidor MCX-610 debe ser memorizado en el panel de control. Ponga el Panel en modo *memorización* (del mismo modo que para un detector) y pulse el switch del tamper.

Importante! Si no se memoriza el repetidor MCX-610 en el panel, no se reciben en el panel los estados de baja batería, tamper y supervisión del repetidor.

4.4 Agregar Dispositivos

Los dispositivos cuyas transmisiones de mensajes deben ser repetidas por el repetidor deben estar memorizados en el repetidor y en el panel de control. Un total de 50 dispositivos pueden ser memorizados en la MCX-610. Siga las siguientes instrucciones para la memorización de un dispositivo.

- A. Retire la tapa del MCX-610.
- B. Presione el botón de memorización del repetidor y libérela (véase la Figura 2); el LED naranja parpadea durante 10 seg.
Nota: No presione el botón de memorización por más de 3 seg.
- C. Inicie la transmisión desde el dispositivo a ser memorizado en 10 segundos. En respuesta, el LED verde se iluminará y un bip "alegre" sonará para indicar la exitosa memorización del dispositivo.
Nota: Para verificación de la memorización, el LED azul parpadeará cuando el dispositivo es activado.
- D. Repita los pasos A a C para memorizar dispositivos adicionales.

Notas:

- i) Si el dispositivo ya estaba memorizado en el MCX-610 y el procedimiento de memorización es realizado otra vez para el mismo dispositivo en el mismo MCX-610, el LED rojo se encenderá y un bip "triste" de falla sonará.
- ii) En el caso de que la memorización es realizada después que 50 dispositivos ya fueron memorizados, el LED verde no se encenderá y un bip "triste" de falla sonará.
- iii) Si la transmisión no ha sido iniciada por más de 10 segundos, el LED naranja se apagará y un bip doble sonará.
- iv) La memorización del dispositivo no puede ser usada para conectar repetidores.

4.5 Eliminar Dispositivos

¡Atención!
El procedimiento de eliminación de dispositivos debe ser realizado sin la tapa.
El procedimiento para eliminar los dispositivos memorizados en el repetidor se realiza para **todos los dispositivos de forma colectiva**. No es posible borrar un dispositivo específico de la memoria del MCX-610.

- A. Retire la tapa del MCX-610.
- B. Presione el botón de memorización del repetidor continuamente. En respuesta, deben ser observadas las siguientes etapas sucesivas:
 - i) El LED naranja parpadea (3 seg.).
 - ii) El LED rojo parpadea y el buzzer emite un sonido a un ritmo lento (12 seg.).
 - iii) El LED rojo parpadea y el buzzer emite un sonido a un ritmo acelerado (5 seg.).

Al final del procedimiento, el LED rojo se encenderá constantemente durante 3 segundos. y un bip "alegre" sonará para indicar supresión exitosa de todos los dispositivos.

4.6 Prueba de Diagnóstico Local

Esta función permite probar la potencia de la señal de los dispositivos memorizados como vistos por el repetidor. Antes de la prueba, separe la base de la tapa (véase la Fig. 3).

¡Atención! El procedimiento de prueba de diagnóstico local debe ser realizado sin la tapa.

Presione el botón de prueba del repetidor durante 5 segundos; el LED verde parpadea durante 10 minutos o hasta que el interruptor de tamper sea restaurado.

Tres niveles de recepción son detectados e indicados como se ilustra en la siguiente tabla.

Indicación del Nivel de la Señal Recibida:

Recepción	Respuesta del Buzzer
Fuerte	Melodía Alegre (- - - - -) (- - - - -)
Buena	Melodía Alegre (- - - - -)
Débil	Melodía Triste (- - - - -)

IMPORTANTE! Se debe asegurar una recepción fiable de la señal. Por lo tanto, no es aceptable una señal "débil". Si usted recibe una señal "débil" de un dispositivo, reubíquelo y vuelva a probarlo hasta que el resultado de la prueba sea "bueno" o "fuerte".

4.7 Cierre de la Tapa

Véase la figura 4.

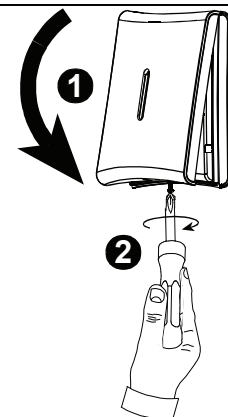


Figura 4 Cierre de la Tapa

5. NOTAS Y ADVERTENCIAS

5.1 Limitaciones del Producto

Los sistemas inalámbricos de Visonic Ltd. son muy fiables y han sido probados con los más altos estándares. Sin embargo, hay algunas limitaciones a tener en cuenta:

- A. Los receptores pueden ser bloqueados por señales de radio en o cerca de sus frecuencias de operación.
- B. El equipo inalámbrico debe ser testado regularmente para determinar la existencia de fuentes de interferencia y proteger contra fallas.

5.2 Conformidad con Estándares

Prevención de Interferencia
Este dispositivo cumple con la Parte 15 de las Reglas de la FCC. La operación está sujeta a dos condiciones: (1) Este dispositivo no debe causar interferencia dañosa y (2) Este dispositivo debe aceptar cualquier interferencia recibida, incluso interferencia que pueda causar indeseada operación.

ADVERTENCIA! Cambios o modificaciones en esta unidad no expresamente aprobados por la parte responsable por la conformidad podrían anular la autoridad del usuario para operar el equipo.

El circuito digital de este dispositivo ha sido probado y fue encontrado que cumple con los límites para un dispositivo digital Clase B, conforme la Parte 15 de las Reglas de la FCC. Estos límites son designados a proporcionar una protección razonable contra interferencia dañosa en instalaciones residenciales. Este equipo genera, utiliza y puede irradiar energía de radio frecuencia y, si no instalado y usado según las instrucciones, puede causar interferencia perjudicial a la recepción de radio y televisión. No obstante, no hay garantía de que no ocurran interferencias en una particular instalación. Si este dispositivo causar tal interferencia, que puede ser verificada ligando y desligando el dispositivo, el usuario es estimulado a eliminar la interferencia tomando una o más de las siguientes medidas:

- Reorientar o trasladar la antena de recepción.
- Aumentar la distancia entre el dispositivo y el receptor.
- Conectar el equipo a una salida en un circuito distinto del que provee alimentación al receptor.
- Consultar el vendedor o un técnico experimentado de radio/TV.

Este dispositivo cumple los requisitos esenciales y provisiones de la Directiva 1999/5/EC del Parlamento Europeo y del Consejo del 9 de Marzo de 1999 de equipos de radio y terminales de telecomunicaciones.

**Declaración de Reciclaje de Producto R.A.E.E.**

Para información relacionada con el reciclaje de este producto debe contactar con la compañía a la que compró en origen. Si usted va a desechar este producto y no lo va a devolver para reparación debe asegurar que es devuelto como estableció su proveedor. Este producto no se tira con la basura diaria.

Europeo Directiva 2002/96/EC de Residuos de Aparatos Eléctricos y Electrónicos.

GARANTÍA

Visonic Limited (el "Fabricante") garantiza este producto solamente (el "Producto") al comprador original solamente (el "Comprador") contra mano de obra y materiales defectuosos bajo uso normal del Producto por un período de doce (12) meses a partir de la fecha de envío del Fabricante.

La presente Garantía es absolutamente condicional a que el Producto se haya instalado, mantenido y operado correctamente en condiciones de uso normal de acuerdo con las instrucciones de instalación y funcionamiento recomendadas por el Fabricante. Esta garantía no cubrirá los productos que se hayan averiado por cualquier otro motivo, según el criterio del Fabricante, como instalación inadecuada, no seguir las instrucciones de instalación y funcionamiento recomendadas, negligencia, daños voluntarios, uso indebido o vandalismo, daños accidentales, modificaciones o manipulaciones o reparaciones realizadas por alguien que no sea el Fabricante.

El Fabricante no manifiesta que este Producto no se pueda allanar y/o circunvenir ni que el Producto prevendrá cualquier muerte y/o lesión personal y/o daños a la propiedad como resultado de hurto, robo, incendio u otro, ni que el Producto proporcionará en todo momento aviso o protección adecuados. El Producto, si se instala y mantiene de manera correcta, sólo reduce el riesgo de dichos eventos sin aviso y no constituye una garantía o un seguro contra la ocurrencia de dichos eventos.

ESTA GARANTÍA SE DA EXCLUSIVA Y EXPLÍCITAMENTE EN LUGAR DE TODAS LAS OTRAS GARANTÍAS, OBLIGACIONES O RESPONSABILIDADES, YA FUESEN ESCRITAS, VERBALES, EXPLÍCITAS O IMPLÍCITAS E INCLUYENDO CUALQUIER GARANTÍA DE COMERCIABILIDAD O APTITUD PARA UN FIN PARTICULAR O DE OTRO TIPO. EL FABRICANTE NO SERÁ RESPONSABLE ANTE NADIE POR CUALESQUIERA DAÑOS Y PERJUICIOS INDIRECTOS O INCIDENTALES POR EL INCUMPLIMIENTO DE ESTA GARANTÍA O CUALESQUIERA OTRAS GARANTÍAS, COMO SE MENCIONA ANTERIORMENTE.

EL FABRICANTE NO SERÁ RESPONSABLE EN NINGÚN CASO POR CUALESQUIERA DAÑOS ESPECIALES, INDIRECTOS, INCIDENTALES, CONSECUENCIALES O PUNITIVOS O POR PÉRDIDAS, DAÑOS O GASTOS, INCLUYENDO PÉRDIDA DE USO, BENEFICIOS, INGRESOS O CRÉDITO MERCANTIL, DIRECTA O INDIRECTAMENTE, COMO RESULTADO DEL USO O INCAPACIDAD DE USO DEL PRODUCTO O POR LA PÉRDIDA O DESTRUCCIÓN DE OTRA PROPIEDAD O A RAÍZ DE CUALQUIER MOTIVO, INCLUSO SI SE AVISÓ AL FABRICANTE DE LA POSIBILIDAD DE TALES DAÑOS.

EL FABRICANTE NO SERÁ RESPONSABLE DE NINGUNA MUERTE, LESIÓN PERSONAL Y/O DAÑO CORPORAL Y/O DAÑOS A LA PROPIEDAD U OTRAS PÉRDIDAS, YA FUESEN DIRECTAS, INDIRECTAS, INCIDENTALES, CONSECUENCIALES O DE OTRO TIPO, QUE SE BASEN EN UNA RECLAMACIÓN DE QUE EL PRODUCTO NO FUNCIONA.

No obstante, si se hace responsable al Fabricante, ya sea directa o indirectamente, de cualesquiera pérdidas o daños bajo esta garantía limitada, **LA MÁXIMA RESPONSABILIDAD DEL FABRICANTE (SI ALGUNA) EN NINGÚN CASO EXCEDERÁ EL PRECIO DE COMPRA DEL PRODUCTO** y dicho precio se fijará como daños liquidados y no como una multa y constituirá el remedio completo y exclusivo contra el Fabricante.

Al aceptar la entrega del Producto, el Comprador acepta las citadas condiciones de venta y garantía y el Comprador reconoce haber sido informado de las mismas.

En algunas jurisdicciones no se permite la exclusión o limitación de los daños indirectos o consecuenciales, por lo que estas limitaciones podrían no resultar aplicables en ciertas circunstancias.

El Fabricante no tendrá ningún tipo de responsabilidad a raíz de corrupción y/o mal funcionamiento de cualquier equipo de telecomunicaciones o electrónico o de cualquier programa.

Las obligaciones del Fabricante bajo esta Garantía se limitan de manera exclusiva a la reparación y/o sustitución, a discreción del Fabricante, de cualquier Producto o parte del mismo que se demuestre averiado. Cualquier reparación y/o sustitución no extenderá el período de la Garantía original. El Fabricante no será responsable de los costes de desmontaje y/o reinstalación. Para ejercitar esta Garantía, el Producto se deberá devolver al Fabricante con el flete prepago y asegurado. Todos los costes de flete y seguro son responsabilidad del Comprador y no se incluyen en esta Garantía.

Esta garantía no se modificará, cambiará ni ampliará y el Fabricante no autoriza a ninguna persona a que actúe en representación suya para modificar, cambiar o ampliar esta garantía. Esta garantía se aplicará solamente al Producto. Todos los productos, accesorios o acoplamientos de terceras partes que se utilicen conjuntamente al Producto, incluyendo baterías, estarán cubiertos exclusivamente por sus propias garantías, si existe alguna. El Fabricante no será responsable de ningún daño o pérdida del tipo que sea, ya fuese directa, indirecta, incidental o consecucionalmente o de otra manera, causados por el mal funcionamiento del Producto debido a productos, accesorios o acoplamientos de terceras partes, incluidas baterías, utilizados conjuntamente al Producto. Esta Garantía es exclusiva para el Comprador original y no es transferible.

Esta Garantía complementa a y no afecta sus derechos legales. Cualquier disposición de esta garantía contraria al derecho del estado o país en que se suministre el Producto no será aplicable.

Advertencia: El usuario deberá seguir las instrucciones de instalación y funcionamiento del Fabricante, incluyendo probar el Producto y todo el sistema del mismo una vez a la semana como mínimo y tomar todas las precauciones necesarias para su seguridad personal y la protección de su propiedad..

1/08



VISONIC LTD. (ISRAEL): P.O.B 22020 TEL-AVIV 61220 ISRAEL. TEL: (972-3) 645-6789. FAX: (972-3) 645-6788

VISONIC INC. (U.S.A.): 65 WEST DUDLEY TOWN ROAD, BLOOMFIELD CT. 06002-1376. TEL: (860) 243-0833, (800) 223-0020. FAX: (860) 242-8094

VISONIC LTD. (UK): UNIT 6 MADINGLEY COURT CHIPPENHAM DRIVE KINGSTON MILTON KEYNES MK10 0BZ. TEL: (0870) 7300800 FAX: (0870) 7300801.

TEL: (0870) 7300800 FAX: (0870) 7300801 **PRODUCT SUPPORT: (0870) 7300830**

VISONIC GmbH (D-A-CH): KIRCHFELDSTR. 118, D-40215 DÜSSELDORF. TEL.: +49 (0)211 600696-0. FAX: +49 (0)211 600696-19

VISONIC IBERICA: ISLA DE PALMA, 32 NAVE 7, POLÍGONO INDUSTRIAL NORTE, 28700 SAN SEBASTIÁN DE LOS REYES, (MADRID), ESPAÑA.

TEL (34) 91659-3120, FAX (34) 91663-8468. www.visonic-iberica.es

INTERNET: www.visonic.com

©VISONIC LTD. 2010 MCX-610 D-302722 (Rev 4, 11/10)

